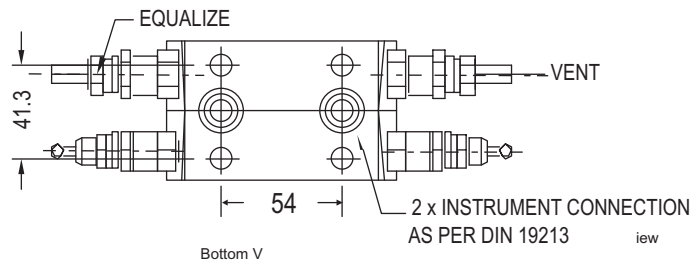
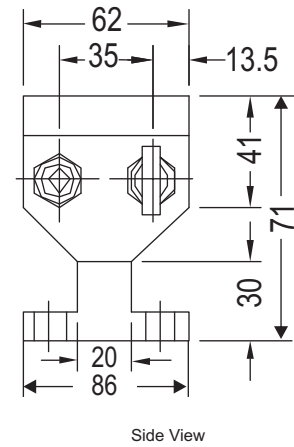
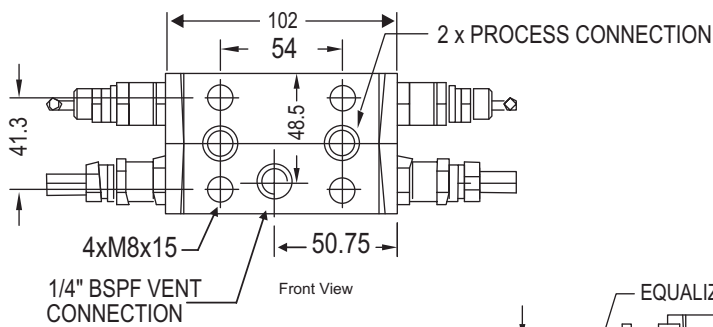
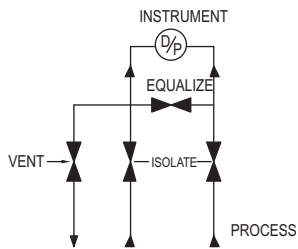
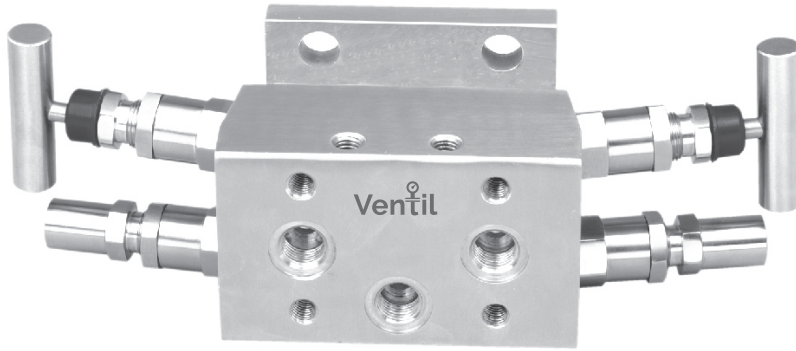


## DIRECT MOUNT (PIPE TO FLANGE)

A compact four valve manifold to accommodate any full DIN 19213 interface compliant pressure transmitter-two inlet BSP/NPT female and 2 outlets Flange to fit DIN 19213; vent/test on front side, equalizing bonnet at right side; isolating bonnet at left and right side and venting bonnet at left side.



### Standard connection

Product	Process Side	Instrument Side	Vent/Test
KMF-09	Female	Flange	1/4" BSP

For Further details please contact factory.